

CERAMIC FILTER (5pins) - LT455-W / LT450-W Series

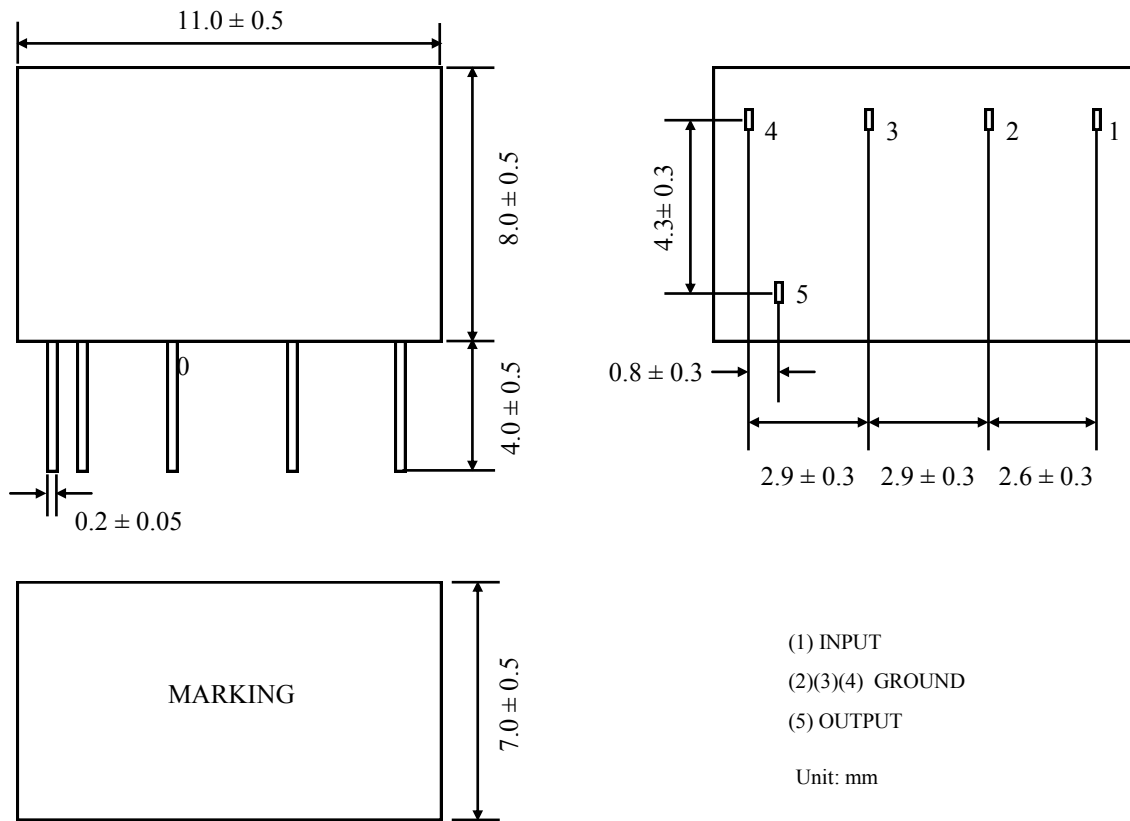
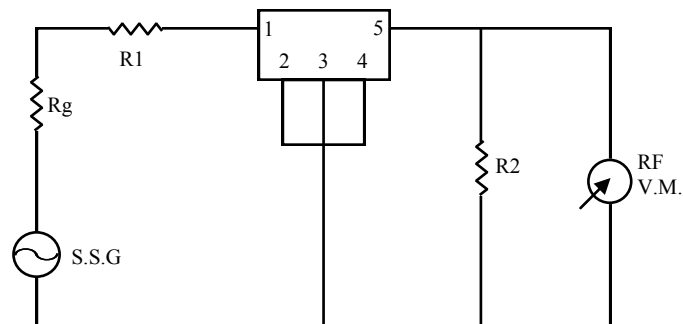
► 455 kHz Series

PART NUMBER	CENTER FREQUENCY (kHz)	INSERTION LOSS (dB)	PASS BAND RIPPLE (dB) MAX.	AT 6dB BAND-WIDTH (kHz) MIN.	50dB BANDWIDTH (kHz) MAX.	STOP BAND ±100kHz (dB) MIN.	INPUT/OUTPUT IMPEDANCE(Ω)
LT455BW	455 ± 2.0	4	2	± 15	± 30	40	1500
LT455CW	455 ± 2.0	4	2	± 12.5	± 24	40	1500
LT455DW	455 ± 1.5	4	2	± 10	± 20	40	1500
LT455EW	455 ± 1.5	6	2	± 7.5	± 15	40	1500
LT455FW	455 ± 1.5	6	2	± 6	± 12.5	40	2000
LT455GW	455 ± 1.5	6	2	± 4.5	± 10	40	2000
LT455HW	455 ± 1.0	6	2	± 3	± 9	40	2000
LT455IW	455 ± 1.0	6	2	± 2	± 7.5	40	2000
LT455HTW	455 ± 1.0	6	2	± 3	± 9	60	2000

► 450 kHz Series

PART NUMBER	CENTER FREQUENCY (kHz)	INSERTION LOSS (dB)	PASS BAND RIPPLE (dB) MAX.	AT 6dB BAND-WIDTH (kHz) MIN.	50dB BANDWIDTH (kHz) MAX.	STOP BAND ±100kHz (dB) MIN.	INPUT/OUTPUT IMPEDANCE(Ω)
LT450BW	450 ± 2.0	4	2	± 15	± 30	40	1500
LT450CW	450 ± 2.0	4	2	± 12.5	± 24	40	1500
LT450DW	450 ± 1.5	4	2	± 10	± 20	40	1500
LT450EW	450 ± 1.5	6	2	± 7.5	± 15	40	1500
LT450FW	450 ± 1.5	6	2	± 6	± 12.5	40	2000
LT450GW	450 ± 1.5	6	2	± 4.5	± 10	40	2000
LT450HW	450 ± 1.0	6	2	± 3	± 9	40	2000
LT450IW	450 ± 1.0	6	2	± 2	± 7.5	40	2000
LT450HTW	450 ± 1.0	6	2	± 3	± 9	60	2000

Transko Electronics, Inc reserves the right to make changes to the product (s), service (s), and specification (s) described herein without notice. See "Terms of Sale" for details on our website.

■ PACKAGE DIMENSIONS

■ TEST CIRCUIT


$$R_g + R_1 = R_2 = \text{INPUT/OUTPUT IMPEDANCE}$$